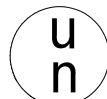
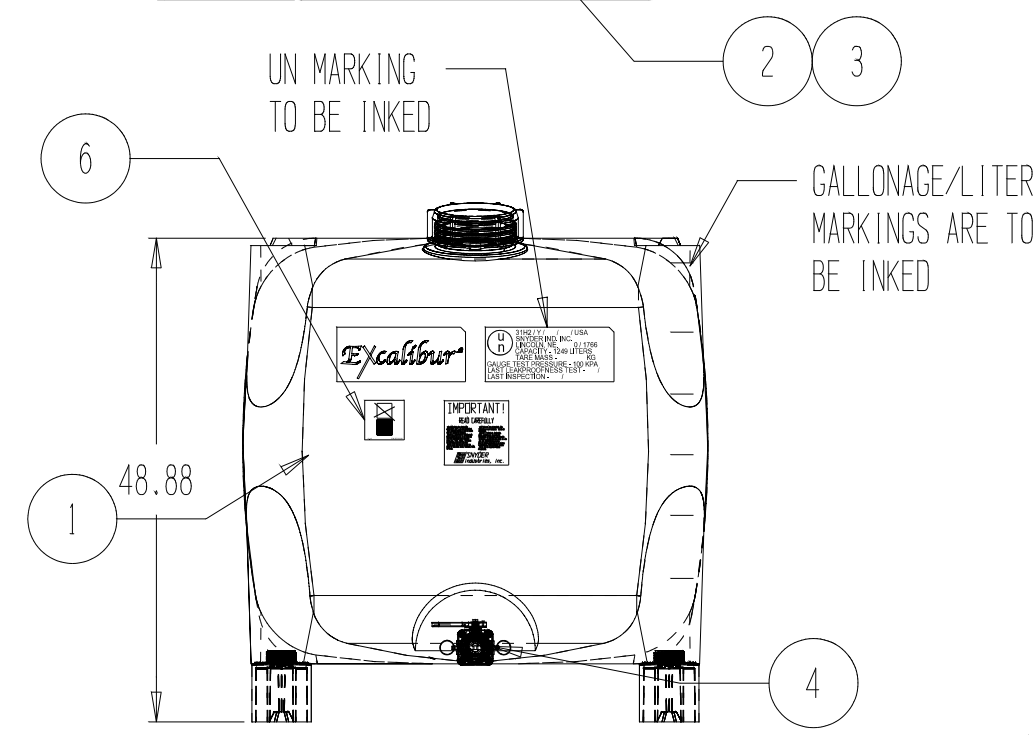
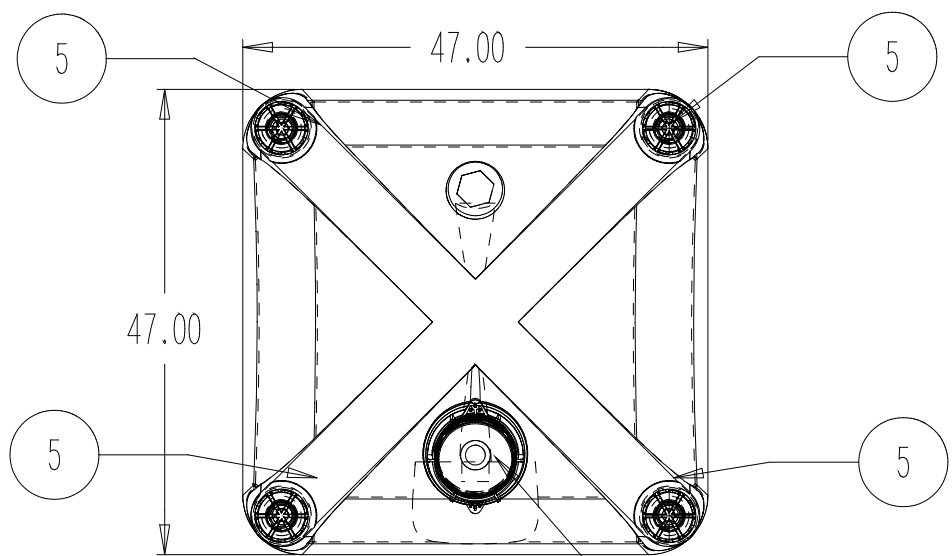


U.N. MARKING PER B5471 READS


 31H2/Y/ / / USA  
 SNYDER IND. INC.  
 LINCOLN, NE. 0 / 1766  
 CAPACITY - 1249 LITERS  
 TARE MASS - KG  
 GAUGE TEST PRESSURE - 100 KPA  
 LAST LEAKPROOFNESS TEST - /  
 LAST INSPECTION - /



\* DENOTES A CUTSHEET EXISTS FOR THIS ITEM IN THE CUTSHEET DATABASE.  
 % DENOTES THIS IS A LINE ITEM IN THE CONFIGURATION.  
 # DENOTES THIS IS A SEPERATE LINE ITEM ON THE ORDER. (TO SHIP LOOSE)

16	X		X	X
15	X		X	X
14	X		X	X
13	X		X	X
12	X		X	X
11	X		X	X
10	X		X	X
* 9	STD IBC ASSEMBLY KIT - NO BAG	1		34701648
8	X		X	X
7	X		X	X
* 6	DECAL STACK RATING ZERO	1		99700338
5	EXCALII FOOT PE BLACK	4		34300341
* 4	ASM VALVE 2IN 4-BOLT STUBBY	1		34700718
* 3	ASM VENT PE 2IN VACUUM SII W/EPDM	1		34700822
2	CAP 6IN HDLPE W/2IN NPS W/EPDM	1		34300314
% * 1	ASM TK 330 EXCAL2 6C ORB 1.35	1		6510101B96002
ITEM#	DESCRIPTION	QTY.		P/N

ALL DIMENSIONS ARE NOMINAL AND SUBJECT TO CHANGE WITHOUT NOTICE.

© SNYDER INDUSTRIES, INC., 2013

SNYDER INDUSTRIES INC. CLAIMS PROPRIETARY RIGHTS IN THE MATERIAL DISCLOSED HEREON. NEITHER THIS DRAWING NOR ANY PRODUCTION THEREOF MAY BE USED TO MANUFACTURE ANYTHING SHOWN HEREON WITHOUT PERMISSION IN WRITING FROM SNYDER INDUSTRIES INC. TO USER SPECIFICALLY REFERRING TO THIS DRAWING.

VALVE MUST BE LATEST VERSION OF 3540052 W/ TAMPER EVIDENT/LANYARD HOLE TOWARDS THE TOP

% \*

PART # TANK: 6510101B96002

330 EXCALIBUR 2 1.35 STD

P.O.#  
REF#: 00000

01/23/2013

SNYDER INDUSTRIES INC.